

UL LED DRIVER

UL LED DRIVER

SL 8-17 SERIES

Description:

Line Voltage : 120-277Vac 50/60Hz
 Constant Current Output
 High Power Factor, Low THD
 Auto Recovery
 Open Circuit Protection
 Short Circuit Protection
 Output Current Tolerance : $\pm 5\%$
 UL/cUL
 Type TL
 UL Class 2



Model	Input voltage	Input Current	PF	Output Voltage	Output Current	Output power	Ta	Type TL	Eff.
SL8-I275 120-277 W	120-277V	0.03-0.086A	0.95	18-30V	275mA	8W	-20-40°C	81°C/70°C	83%
SL10-I350 120-277 W	120-277V	0.05-0.12A	0.95	17-29V	350mA	10W	-20-40°C	81°C/70°C	83%
SL10-I700120-277 W	120-277V	0.045-0.11A	0.95	10-16V	700mA	10W	-20-40°C	81°C/70°C	83%
SL15-I500120-277 W	120-277V	0.07-0.16A	0.95	18-30V	500mA	15W	-20-40°C	81°C/70°C	83%
SL15-I700120-277 W	120-277V	0.07-0.17A	0.95	14-24V	700mA	15W	-20-40°C	81°C/70°C	83%
SL17-I700 120-277 W	120-277V	0.08-0.16A	0.95	14-24V	700mA	17W	-20-40°C	81°C/70°C	83%
SL XX-IYYY 120-277 W	120-277V	0.18-0.275A	0.95	10-42V	275-700mA	8-17W	-20-40°C	81°C/70°C	83%

Standards

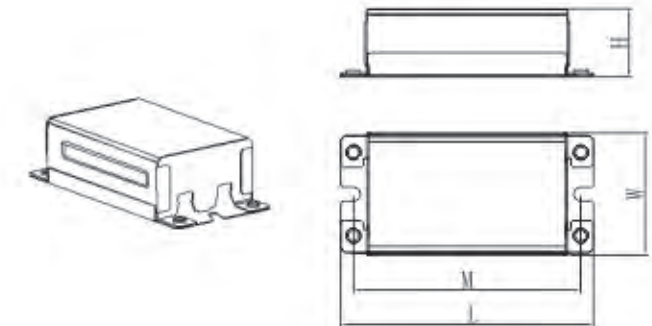
UL8750
 IEC61000-3-2
 FCC Part 15 Class A, ANSI C63.4: 2009

Safety

No PCB's
 UL
 Sound Rated : A

Dimensions:

Overall Length (L) : 3.42"±0.1"
 Width (W) : 1.57"±0.1"
 Height (H) : 0.90"±0.1"
 Mounting(M) : 3.11"±0.1"



SLC 18-40 SERIES

Description:

Line Voltage : 120~277Vac 50/60Hz
Constant Current Output
High Power Factor, Low THD
Auto Recovery
Open Circuit Protection
Short Circuit Protection
Output Current Tolerance: $\pm 5\%$
UL/cUL
UL Class 2, Class P



Model	Input voltage	Input Current	PF	Output Voltage	Output Current	Output power	Ta	Type TL	Eff
SLC 18-I350 120-277 W	120-277V	0.08-0.18A	0.95	30-52V	350mA	18W	-20-50°C	81°C/80°C	86%
SLC 20-I500 120-277 W	120-277V	0.09-0.2A	0.95	20-40V	500mA	20W	-20-50°C	81°C/80°C	86%
SLC 25-I500 120-277 W	120-277V	0.1-0.24A	0.95	22-50V	500mA	25W	-20-50°C	81°C/80°C	86%
SLC 33-I1050 120-277 W	120-277V	0.14-0.34A	0.95	16-32V	1050mA	33W	-20-50°C	81°C/80°C	86%
SLC 40-I1050 120-277 W	120-277V	0.17-0.4A	0.95	20-38V	1050mA	40W	-20-50°C	81°C/80°C	86%
SLC 40-I1400 120-277 W	120-277V	0.17-0.4A	0.95	16-28V	1400mA	40W	-20-50°C	81°C/80°C	86%
SLC XX-IYYYY 120-277 W	120-277V	0.137-0.47A	0.95	16-52V	350-1400	18-40W	-20-50°C	81°C/80°C	86%

Standards

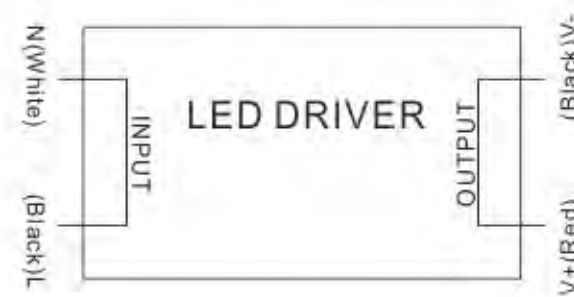
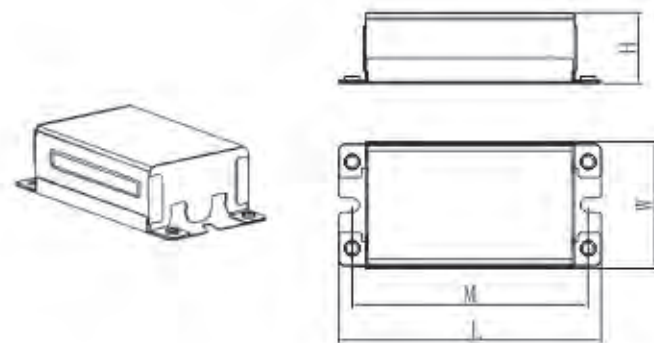
UL8750
IEC61000-3-2
FCC Part 15 Class A, ANSI C63.4: 2009

Safety

No PCB's
UL
Sound Rated : A

Dimensions:

Overall Length (L) : 3.86 ± 0.1 "
Width (W) : 2.00 ± 0.1 "
Height (H) : 1.15 ± 0.1 "
Mounting(M) : 3.51 ± 0.1 "



SLC 18-40-R SERIES

Description:

Line Voltage: 120~277Vac 50/60Hz
Constant Current Output
High Power Factor, Low THD
Auto Recovery
Open Circuit Protection
Short Circuit Protection
Output Current Tolerance: $\pm 5\%$
UL/cUL
UL Class 2, Class P



Model	Input voltage	Input Current	PF	Output Voltage	Output Current	Output power	Ta	Type TL	Eff
SLC 18-I350 120-277 WR	120-277V	0.08-0.18A	0.95	30-52V	350mA	18W	-20-50°C	81°C/80°C	86%
SLC 20-I500 120-277 WR	120-277V	0.09-0.2A	0.95	20-40V	500mA	20W	-20-50°C	81°C/80°C	86%
SLC 25-I500 120-277 WR	120-277V	0.1-0.25A	0.95	28-50V	500mA	25W	-20-50°C	81°C/80°C	86%
SLC 33-I1050 120-277 WR	120-277V	0.14-0.34A	0.95	16-32V	1050mA	33W	-20-50°C	81°C/80°C	86%
SLC 40-I1050 120-277 WR	120-277V	0.17-0.4A	0.95	20-38V	1050mA	40W	-20-50°C	81°C/80°C	86%
SLC 40-I1400 120-277 WR	120-277V	0.17-0.4A	0.95	16-28V	1400mA	40W	-20-50°C	81°C/80°C	86%
SLC XX-IYYYY 120-277 WR	120-277V	0.137-0.47A	0.95	16-52V	350-1400	18-40W	-20-50°C	81°C/80°C	86%

Standards

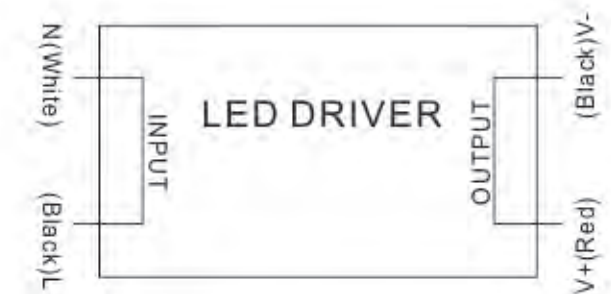
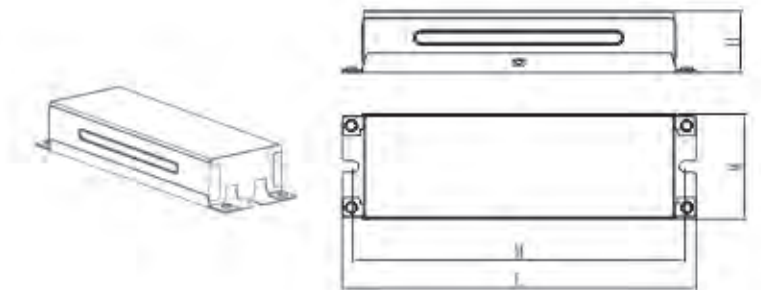
UL8750
IEC61000-3-2
FCC Part 15 Class A, ANSI C63.4: 2009

Safety

No PCB's
UL
Sound Rated : A

Dimensions:

Overall Length (L) : 6.00 ± 0.1 "
Width (W) : 1.30 ± 0.1 "
Height (H) : 1.10 ± 0.1 "
Mounting(M) : 5.69 ± 0.1 "



SL 40-65 SERIES

Description:
Line Voltage: 120~277Vac 50/60Hz
Constant Current Output
High Power Factor, Low THD
Auto Recovery
Open Circuit Protection
Short Circuit Protection
Output Current Tolerance: ±5%
UL/cUL
Type TL
UL Class 2



Model	Input voltage	Input Current	PF	Output Voltage	Output Current	Output power	T _a	Type TL	Eff.
SL40-I1050120-277W	120-277V	0.15-0.38A	0.95	20-38V	1050mA	40W	-20-55°C	85°C/58°C	87%
SL50-I1050120-277W	120-277V	0.2-0.48A	0.95	30-52V	1050mA	50W	-20-55°C	85°C/58°C	87%
SL50-I1400120-277W	120-277V	0.2-0.48A	0.95	21-36V	1400mA	50W	-20-55°C	85°C/58°C	87%
SLC 63-I1400 120-277 W P	120-277V	0.25-0.59A	0.9	20-45V	1400mA	63W	-20-50°C	90°C/71°C	89%
SLC 65-I1500 120-277 W P	120-277V	0.26-0.6A	0.9	20-43V	1500mA	65W	-20-50°C	90°C/71°C	89%
SLC 60-I1200 120-277 W P	120-277V	0.23-0.56A	0.9	20-50V	1200mA	60W	-20-50°C	90°C/71°C	89%
SLC XX-IYYYY 120-277 W P	120-277V	0.25-0.64A	0.9	20-53V	700-1700mA	35-65W	-20-50°C	90°C/71°C	87%

Standards

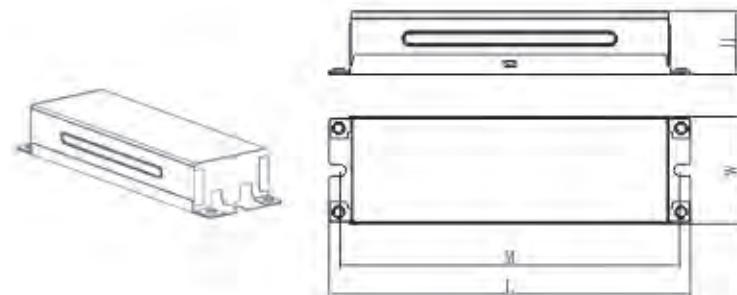
UL8750
IEC61000-3-2
FCC Part 15 Class A, ANSI C63.4: 2009

Safety

No PCB's
UL
Sound Rated : A

Dimensions:

Overall Length (L) : 6.00"±0.1"
Width (W) : 1.80"±0.1"
Height (H) : 1.10"±0.1"
Mounting(M) : 5.69"±0.1"



SLK 40-65 SERIES

Description:
Line Voltage: 120~277Vac 50/60Hz
Constant Current Output
High Power Factor, Low THD
Auto Recovery
Open Circuit Protection
Short Circuit Protection
Output Current Tolerance: ±5%
UL/cUL
Type TL
UL Class 1



Model	Input voltage	Input Current	PF	Output Voltage	Output Current	Output power	T _a	Type TL	Eff.
SLK 40-I400 120-277 W P	120-277V	0.17-0.4A	0.9	40-100V	400mA	40W	-20-50°C	90°C/71°C	88%
SLK 50-I500 120-277 W P	120-277V	0.2-0.48A	0.9	40-100V	500mA	50W	-20-50°C	90°C/71°C	88%
SLK 60-I600 120-277 W P	120-277V	0.26-0.6A	0.9	40-100V	600mA	60W	-20-50°C	90°C/71°C	88%
SLK 65-I700 120-277 W P	120-277V	0.26-0.6A	0.9	40-93V	700mA	65W	-20-50°C	90°C/71°C	89%
SLK 65-I1050 120-277 W P	120-277V	0.26-0.6A	0.9	40-62V	1050mA	65W	-20-50°C	90°C/71°C	89%
SLK XX-IYYYY 120-277 W P	120-277V	0.2-0.64A	0.9	40-100V	400-1200mA	40-65W	-20-50°C	90°C/71°C	89%

Standards

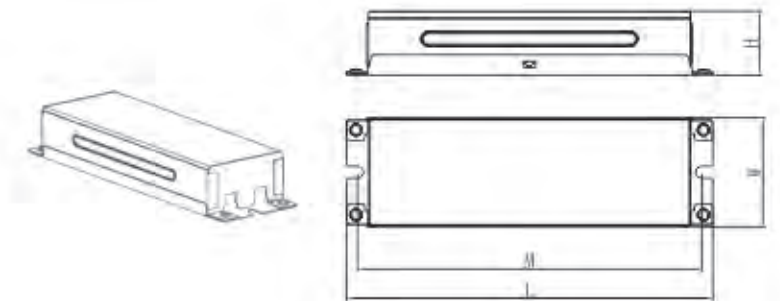
UL8750
IEC61000-3-2
FCC Part 15 Class A, ANSI C63.4: 2009

Safety

No PCB's
UL
Sound Rated : A

Dimensions:

Overall Length (L) : 6.00"±0.1"
Width (W) : 1.80"±0.1"
Height (H) : 1.10"±0.1"
Mounting(M) : 5.69"±0.1"



SLE 60-80 SERIES

Description:

- Line Voltage: 120~277Vac 50/60Hz
- Constant Current Output
- High Power Factor, Low THD
- Auto Recovery
- Open Circuit Protection
- Short Circuit Protection
- Output Current Tolerance: $\pm 5\%$
- UL/cUL
- Type TL
- UL Class 2, Class P



Model	Input voltage	Input Current	PF	Output Voltage	Output Current	Output power	Ta	Type TL	Eff.
SLE 60-I1200 120-277 W S	120-277V	0.26-0.6A	0.95	20-50V	1200mA	60W	-20-55°C	90°C/68°C	87%
SLE 70-I1400 120-277 W S	120-277V	0.32-0.69A	0.95	20-50V	1400mA	70W	-20-55°C	90°C/68°C	87%
SLE 75-I2100 120-277 W S	120-277V	0.34-0.75A	0.95	21-36V	2100mA	75W	-20-55°C	90°C/68°C	87%
SLE 80-I2100 120-277 W S	120-277V	0.34-0.79A	0.95	21-38V	2100mA	80W	-20-55°C	90°C/68°C	87%
SLE XX-IYYYY 120-277 W S	120-277V	0.35-0.8A	0.95	20-54V	700mA-2100mA	60-80W	-20-55°C	90°C/68°C	87%

Standards

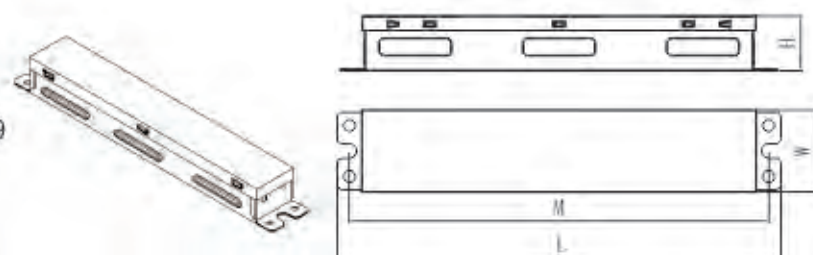
- UL8750
- IEC61000-3-2
- FCC Part 15 Class A, ANSI C63.4: 2009

Safety

- No PCB's
- UL
- Sound Rated : A

Dimensions:

- Overall Length (L) : 9.50 ± 0.1 "
- Width (W) : 1.70 ± 0.1 "
- Height (H) : 1.18 ± 0.1 "
- Mounting(M) : 9.00 ± 0.1 "



SLE 8-17 D0 SERIES

Description:

- Input voltage is 120VAC
- Input frequency is 50Hz-60Hz
- Triac Dimming
- High Power Factor, Low THD
- Auto Recovery
- Short circuit protection
- Over-current protection
- UL/cUL
- Type TL
- UL Class 2



Model	Input voltage	Input Current	PF	Output Voltage	Output Current	Output power	Ta	Type TL	Eff.
SLE 8-I350120 D0-W	120V	0.086A	0.95	17-21V	350mA	8W	-20-40°C	81°C/70°C	81%
SLE 11-I350120 D0-W	120V	0.1A	0.95	26-32V	350mA	11W	-20-40°C	81°C/70°C	81%
SLE 16-I500120 D0-W	120V	0.14A	0.95	26-32V	500mA	16W	-20-40°C	81°C/70°C	81%
SLE 17-I700120 D0-W	120V	0.15A	0.95	19-24V	700mA	17W	-20-40°C	81°C/70°C	81%
SLE XX-IYYY 120 D0-W	120V	0.2A	0.95	17-32V	350-700mA	8-17W	-20-40°C	81°C/70°C	81%

Standards

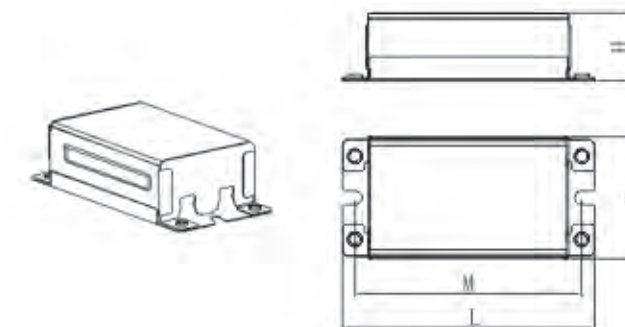
- UL8750
- IEC61000-3-2
- FCC Part 15 Class B, ANSI C63.4: 2009

Safety

- No PCB's
- UL
- Sound Rated : A

Dimensions:

- Overall Length (L) : 3.42 ± 0.1 "
- Width (W) : 1.57 ± 0.1 "
- Height (H) : 0.90 ± 0.1 "
- Mounting(M) : 3.11 ± 0.1 "



SLE 10-25 D0C SERIES

Description:
Input voltage is 120VAC
Input frequency is 50Hz-60Hz
Triac Dimming
High Power Factor, Low THD
Auto Recovery
Short circuit protection
Over-current protection
UL/cUL
UL Class 2



Model	Input voltage	Input Current	PF	Output Voltage	Output Current	Output power	Ta	Tc	Eff.
SLE 10-I200 120 D0-W-C1	120V	0.1A	0.95	44-50V	200mA	10W	-20-55°C	80°C	82%
SLE 12-I350 120 D0-W-C1	120V	0.12A	0.95	27-34V	350mA	12W	-20-55°C	80°C	82%
SLE 15-I500 120 D0-W-C1	120V	0.14A	0.95	24-30V	500mA	15W	-20-55°C	80°C	82%
SLE 18-I350 120 D0-W-C2	120V	0.17A	0.95	46-52V	350mA	18W	-20-55°C	80°C	82%
SLE 21-I700 120 D0-W-C2	120V	0.19A	0.95	24-30V	700mA	21W	-20-55°C	80°C	82%
SLE 25-I500 120 D0-W-C2	120V	0.22A	0.95	44-50V	500mA	25W	-20-55°C	80°C	82%
SLE 25-I1050 120 D0-W-C2	120V	0.22A	0.95	19-25V	1050mA	25W	-20-55°C	85°C	82%
SLE 25-I1400 120 D0-W-C2	120V	0.22A	0.95	13-19V	1400mA	25W	-20-55°C	85°C	82%
SLE XX-IYYY 120 D0-W-C1	120V	0.2A	0.95	10-50V	200mA-1050mA	10-16W	-20-55°C	80°C	82%
SLE XX-IYYY 120 D0-W-C2	120V	0.3A	0.95	13-52V	350mA-1400mA	18-27W	-20-55°C	80°C	82%

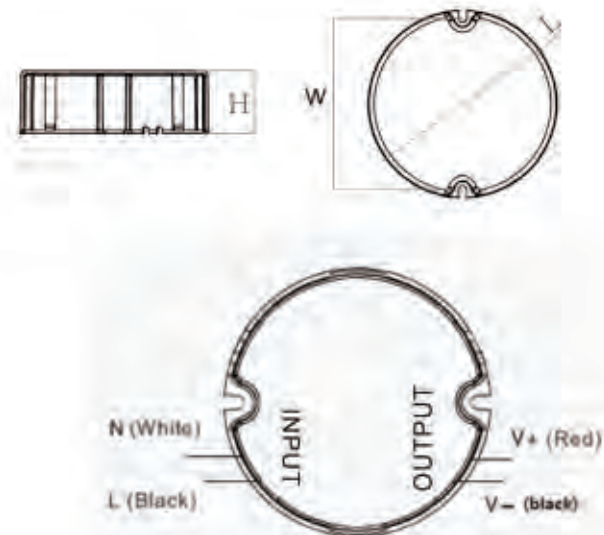
Standards

UL8750
FCC Part 15 Class B, ANSI C63.4: 2009

Safety

No PCB's
UL
Sound Rated : A

Dimensions	C1:	C2:
Diameter (Φ) :	2.56"±0.1"	2.96"±0.1"
Height (H) :	0.98"±0.1"	0.98"±0.1"
Mounting(M) :	2.22"±0.1"	2.70"±0.1"



SLE 25-50 D1 SERIES

Description:
Input voltage is 120-277VAC
Input frequency is 50Hz-60Hz
0-10V Dimmable
High Power Factor, Low THD
Auto Recovery
Short circuit protection
Over-current protection
UL/cUL
Type TL
UL Class 2



Model	Input voltage	Input Current	PF	Output Voltage	Output Current	Output power	Ta	Type TL	Eff.
SLE 25-I500 120-277 W D1 P	120-277V	0.11-0.25A	0.95	28-48V	500mA	25W	-20-55°C	90°C/68°C	86%
SLE 35-I700 120-277 W D1 P	120-277V	0.14-0.34A	0.9	20-48V	700mA	35W	-20-55°C	90°C/68°C	86%
SLE 40-I1050 120-277 W D1 P	120-277V	0.17-0.4A	0.95	20-38V	1050mA	40W	-20-55°C	90°C/68°C	86%
SLE 50-I1400 120-277 W D1 P	120-277V	0.2-0.48A	0.95	21-36V	1400mA	50W	-20-55°C	90°C/68°C	86%
SLE XX-IYYY 120-277 W D1 P	120-277V	0.22-0.5A	0.95	21-48V	500-1400	25-50W	-20-55°C	90°C/68°C	86%

Standards

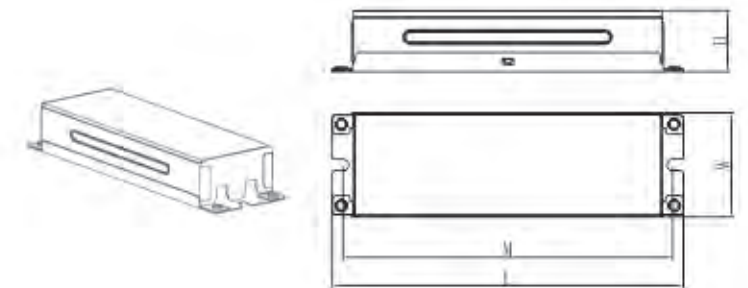
UL8750
IEC61000-3-2
FCC Part 15 Class A, ANSI C63.4: 2009

Safety

No PCB's
UL
Sound Rated : A

Dimensions:

Overall Length (L) : 6.00"±0.1"
Width (W) : 1.80"±0.1"
Height (H) : 1.10"±0.1"
Mounting(M) : 5.69"±0.1"



SL 25-50 D1 SERIES

Description:

Input voltage is 120-277VAC
Input frequency is 50Hz-60Hz
0-10V Dimmable
High Power Factor, Low THD
Auto Recovery
Short circuit protection
Over-current protection
UL/cUL
Type TL
UL Class 2, Class P



Model	Input voltage	Input Current	PF	Output Voltage	Output Current	Output power	Ta	Type TL	Eff.
SL 25-I500 120-277 WD1 P	120-277V	0.11-0.25A	0.95	28-48V	500mA	25W	-20-55°C	85°C/63°C	86%
SL 35-I700 120-277 WD1 P	120-277V	0.14-0.34A	0.9	20-48V	700mA	35W	-20-55°C	85°C/63°C	86%
SL 40-I1050 120-277 WD1 P	120-277V	0.17-0.4A	0.95	20-38V	1050mA	40W	-20-55°C	85°C/63°C	86%
SL 50-I1400 120-277 WD1 P	120-277V	0.2-0.48A	0.95	21-38V	1400mA	50W	-20-55°C	85°C/63°C	86%
SL XX-IYYY 120-277 WD1 P	120-277V	0.22-0.5A	0.95	21-54V	500-1400	25-50W	-20-55°C	85°C/63°C	86%

Standards

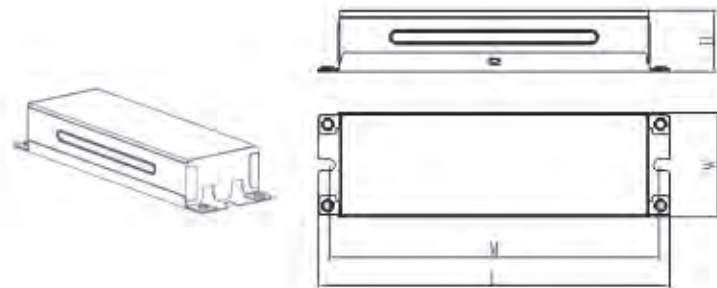
UL8750
IEC61000-3-2
FCC Part 15 Class A, ANSI C63.4: 2009

Safety

No PCB's
UL
Sound Rated : A

Dimensions:

Overall Length (L) : 6.00"±0.1"
Width (W) : 1.80"±0.1"
Height (H) : 1.10"±0.1"
Mounting(M) : 5.69"±0.1"



SL 35-80 D1 SERIES

Description:

Input voltage is 120-277VAC
Input frequency is 50Hz-60Hz
0-10V Dimmable
High Power Factor, Low THD
Auto Recovery
Short circuit protection
Over-current protection
UL/cUL
Type TL
UL Class 2, Class P



Model	Input voltage	Input Current	PF	Output Voltage	Output Current	Output power	Ta	Type TL	Eff.
SL35-I700 120-277 WD1 S	120-277V	0.16-0.38A	0.95	20-50V	700mA	35W	-20-55°C	90°C/68°C	86%
SL48-I1200 120-277 WD1 S	120-277V	0.2-0.48A	0.95	21-40V	1200mA	48W	-20-55°C	90°C/68°C	86%
SL50-I1050 120-277 WD1 S	120-277V	0.2-0.48A	0.95	30-50V	1050mA	50W	-20-55°C	90°C/68°C	87%
SL50-I1400 120-277 WD1 S	120-277V	0.2-0.48A	0.95	21-36V	1400mA	50W	-20-55°C	90°C/68°C	87%
SL60-I1200 120-277 WD1 S	120-277V	0.26-0.6A	0.95	20-50V	1200mA	60W	-20-55°C	90°C/68°C	87%
SL70-I1400 120-277 WD1 S	120-277V	0.32-0.69A	0.95	20-50V	1400mA	70W	-20-55°C	90°C/68°C	87%
SL80-I2100 120-277 WD1 S	120-277V	0.34-0.79A	0.95	21-38V	2100mA	80W	-20-55°C	90°C/68°C	87%
SL XX-IYYYY 120-277 WD1 S	120-277V	0.35-0.8A	0.95	16-54V	700-2100mA	35-80W	-20-55°C	90°C/68°C	87%

Standards

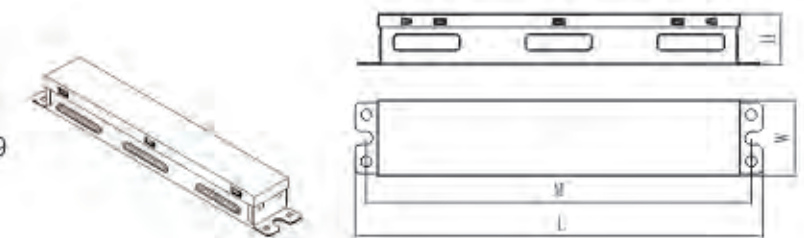
UL8750
IEC61000-3-2
FCC Part 15 Class A, ANSI C63.4: 2009

Safety

No PCB's
UL
Sound Rated : A

Dimensions:

Overall Length (L) : 9.50"±0.1"
Width (W) : 1.70"±0.1"
Height (H) : 1.18"±0.1"
Mounting(M) : 9.00"±0.1"



SL 40-60 D1 SERIES

Description:

Input voltage is 120-277VAC
Input frequency is 50Hz-60Hz
0-10V Dimmable
High Power Factor, Low THD
Auto Recovery
Short circuit protection
Over-current protection
UL/cUL
UL Class 2, Class P



Model	Input voltage	Input Current	PF	Output Voltage	Output Current	Output power	Ta	Tc	Eff.
SL 40-I750 120-277 WD1 M	120-277V	0.16-0.38A	0.95	30-54V	750mA	40W	-20-55°C	90°C	87%
SL 50-I1050 120-277 WD1 M	120-277V	0.20-0.48A	0.9	20-48V	1050mA	50W	-20-55°C	90°C	87%
SL 50-I1400 120-277 WD1 M	120-277V	0.2-0.48A	0.95	21-36V	1400mA	50W	-20-55°C	90°C	87%
SL 60-I1600 120-277 WD1 M	120-277V	0.25-0.57A	0.95	21-36V	1600mA	60W	-20-55°C	90°C	87%
SL XX-IYYY 120-277 WD1 M	120-277V	0.22-0.5A	0.95	20-54V	700-1600	40-60W	-20-55°C	90°C	87%

Standards

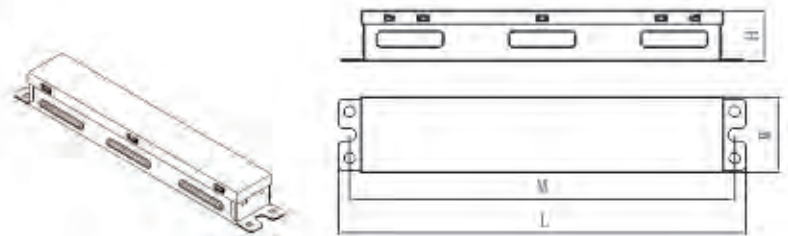
UL8750
IEC61000-3-2
FCC Part 15 Class A, ANSI C63.4: 2009

Safety

No PCB's
UL
Sound Rated : A

Dimensions:

Overall Length (L) : 9.50"±0.1"
Width (W) : 1.30"±0.1"
Height (H) : 1.00"±0.1"
Mounting(M) : 9.00"±0.1"



SL M-channel SERIES

Description:

Input voltage is 120-277VAC
Input frequency is 50Hz-60Hz
0-10V Dimmable
High Power Factor, Low THD
Auto Recovery
Short circuit protection
Over-current protection
UL/cUL
UL Class 2, Class P



Model	Input voltage	Input Current	PF	Output Voltage	Output Current	Output power	Ta	Tc	Eff.
SL 15x2-I300 120-277 WD1 M	120-277V	0.13-0.30A	0.95	20-48V	300mA	15x2W	-20-55°C	90°C	87%
SL 20x2-I500 120-277 WD1 M	120-277V	0.2-0.48A	0.95	20-40V	500mA	20x2W	-20-55°C	90°C	87%
SL 15x3-I300 120-277 WD1 M	120-277V	0.18-0.43A	0.95	20-48V	300mA	15x3W	-20-55°C	90°C	87%
SL 20x3-I500 120-277 WD1 M	120-277V	0.25-0.57A	0.95	20-40V	500mA	20x3W	-20-55°C	90°C	87%
SL 15x4-I300 120-277 WD1 M	120-277V	0.25-0.57A	0.95	20-48V	300mA	15x4W	-20-55°C	90°C	87%
SL XXxCI-YYYY 120-277 WD1 M	120-277V	0.1-0.60A	0.95	20-54V	200-700mA	60W max	-20-55°C	90°C	87%

Standards

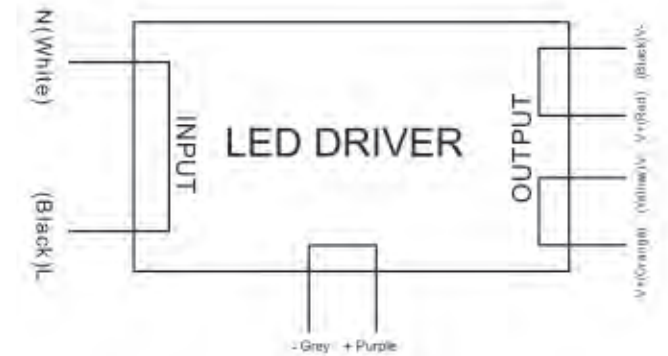
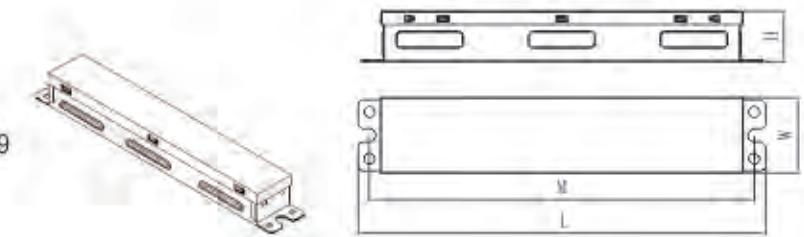
UL8750
IEC61000-3-2
FCC Part 15 Class A, ANSI C63.4: 2009

Safety

No PCB's
UL
Sound Rated : A

Dimensions:

Overall Length (L) : 9.50"±0.1"
Width (W) : 1.30"±0.1"
Height (H) : 1.00"±0.1"
Mounting(M) : 9.00"±0.1"



SLP 60-96 D1 SERIES

Description:

Input voltage is 120-277VAC
 Input frequency is 50Hz-60Hz
 0-10V Dimmable
 High Power Factor, Low THD
 Auto Recovery
 Short circuit protection
 Over-current protection
 UL/cUL
 UL Class 2, Class P
 Type TL



Model	Input voltage	Input Current	PF	Output Voltage	Output Current	Output power	Ta	Tc	Eff
SLP 60-I1200 120-277 WD1 S	120-277V	0.25-0.59A	0.98	50V	1200mA	60W	-20-55°C	89°C	88%
SLP 75-I1200 120-277 WD1 S	120-277V	0.32-0.74A	0.98	36V	2100mA	75W	-20-55°C	89°C	88%
SLP 96-I1200 120-277 WD1 S	120-277V	0.40-0.94A	0.98	40V	2400mA	96W	-20-55°C	89°C	88%
SLP XX-IXXX 120-277 WD1 S	120-277V	0.25-1.0A	0.98	36-54V	1200-2400mA	60-96W	-20-55°C	89°C	88%

Standards

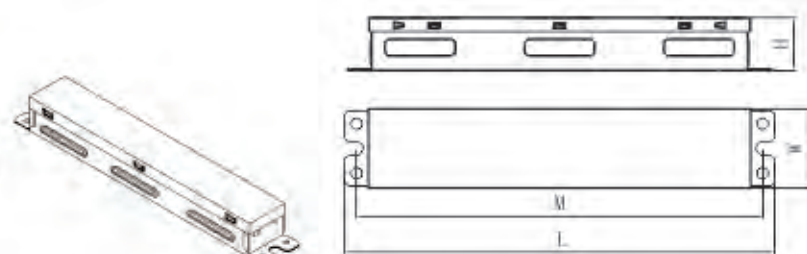
UL8750
 IEC61000-3-2
 FCC Part 15 Class A, ANSI C63.4: 2009

Safety

No PCB's
 UL
 Sound Rated : A

Dimensions:

Overall Length (L) : 9.50"±0.1"
 Width (W) : 1.70"±0.1"
 Height (H) : 1.18"±0.1"
 Mounting(M) : 9.00"±0.1"



U12 / U24 SERIES

Description:

Line Voltage: 120~277Vac 50/60Hz
 Constant Voltage Output
 High Power Factor, Low THD
 Auto Recovery
 Short circuit protection
 Over-current protection
 Output Voltage Tolerance: ±3%
 UL/cUL
 Type TL



ITEM No.	PF(λ)	Vin (V)	Iin (A)	Vout (V)	Iout (mA)	Ta (°C)	Type TL (°C)	Efficiency
SL60-U12 120-277 WA	0.95	120-277	0.56-0.25	12	0-5000	-20-50	85/60	82%
SL60-U12 120-277 WB	0.95	120-277	0.56-0.25	12	0-5000	-20-50	85/60	82%
SL60-U12 120-277 WC	0.95	120-277	0.56-0.25	12	0-5000	-20-50	85/60	82%

ITEM No.	PF(λ)	Vin (V)	Iin (A)	Vout (V)	Iout (mA)	Ta (°C)	Type TL (°C)	Efficiency
SL80-U24 120-277 WA	0.95	120-277	0.78-0.34	24	0-3300	-20-50	85/68	82%
SL80-U24 120-277 WB	0.95	120-277	0.78-0.34	24	0-3300	-20-50	85/68	82%
SL80-U24 120-277 WC	0.95	120-277	0.78-0.34	24	0-3300	-20-50	85/68	82%

Standards

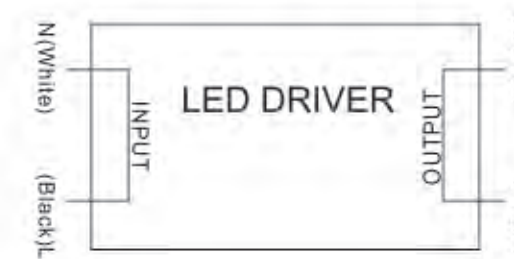
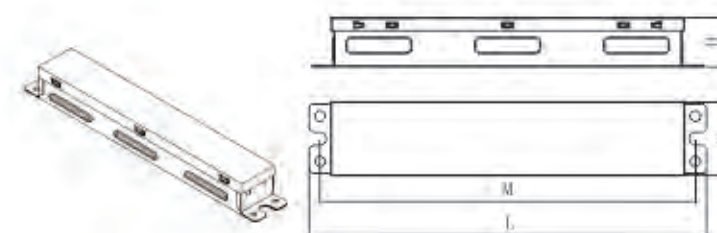
UL8750
 UL879
 FCC Part 15 Class A, ANSI C63.4: 2009

Safety

No PCB's
 UL
 Sound Rated : A

Dimensions:

Overall Length (L) : 9.50"±0.1"
 Width (W) : 1.70"±0.1"
 Height (H) : 1.18"±0.1"
 Mounting(M) : 9.00"±0.1"



Emergency Battery Back-up 25W Series

Description:

1050mA max output Current
SELV for output voltage < 60 V DC
Programmable constant current
Open Circuit Protection
Short Circuit Protection
UL/cUL R/C, Class 2

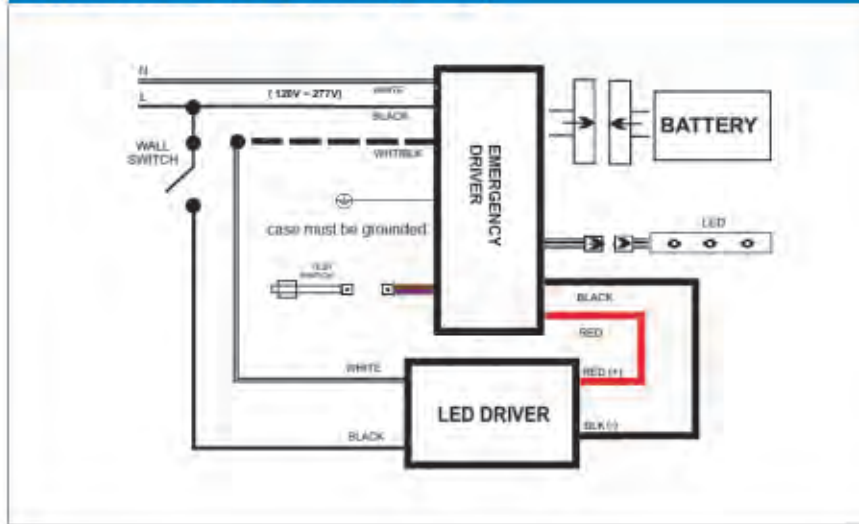
UL924
IEC61000-3-2
FCC Part 15 Class B
No PCB's
Sound Rated A



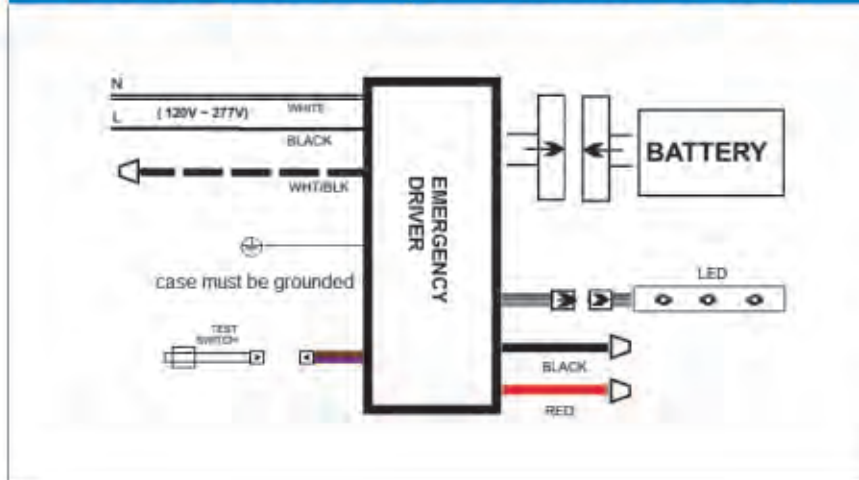
ELECTRICAL DATA

Input voltage	120~277VAC 50/60Hz
Input current	150mA MAX.
Power fact	0.6
Recharge power	8W MAX.
Standby power	<0.5W
Red Lead	3A, 90V
White/black Lead	100W MAX.
Output current	100~1050mA
Output voltage	11~56V
Output power	25W MAX.
Output short protection	YES
Output open protection	YES
Ambient temperature	0°C~50°C
Ambient temperature2	0°C~50°C LiFePO4
Tc MAX	70°C
Time to light	0.3S from detection of emergency event
Recharge time required	24- 48Hours (Refer to battery chart)
Battery type	LiFePO4 9.6VDC
Battery capacity available	0.9Ah~6Ah

WIRING DIAGRAM (TYP)

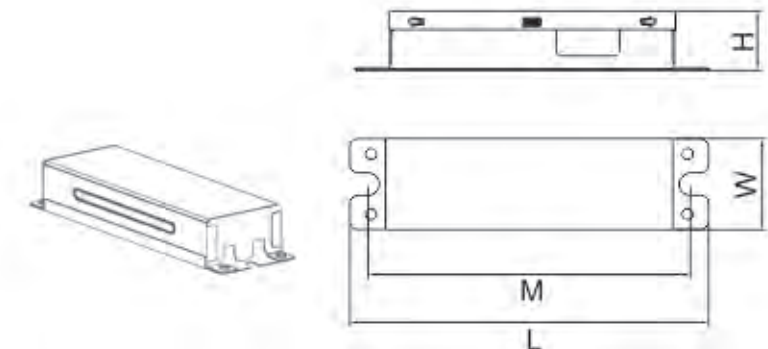


WIRING DIAGRAM (EMERGENCY ONLY)



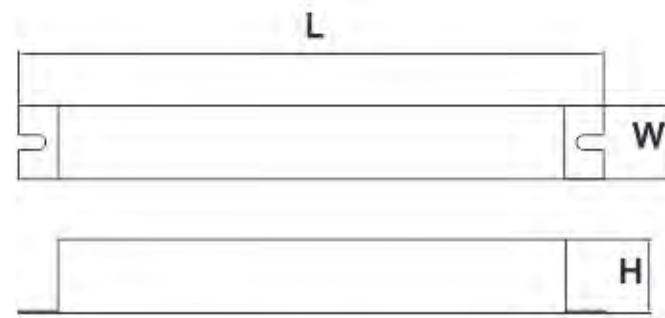
Case Dimensions:

Overall Length(L): 5.89"±0.1"
Width(W): 1.72"±0.1"
Height(H): 1.00"±0.1"
Mounting(M) : 5.30"±0.1"

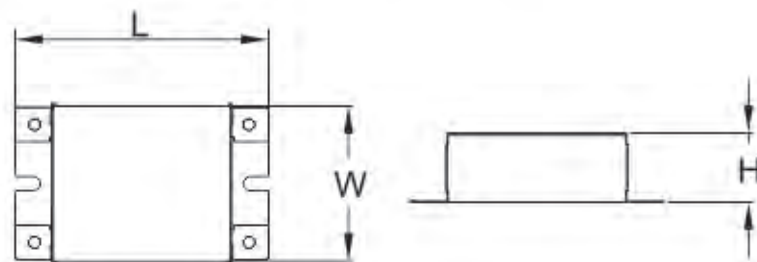


BATTERY CHART

Battery Item	Dimension(LxWxH)	Battery Type	Capacity	Wattage	Battery Voltage	Re-Charging Time
5W-L	8.10"x1.10"x0.84"	LiFePO4	1000mAh	5W	9.6V	24 Hrs
8W-L	8.10"x1.10"x0.84"		1500mAh	8W	9.6V	24 Hrs
16W-L	9.37"x1.22"x1.20"		3000mAh	16W	9.6V	32 Hrs
25W-L	9.37"x2.24"x1.20"		6000mAh	25W	9.6V	48 Hrs
5W-Q	3.62"x2.70"x0.98"		1000mAh	5W	9.6V	24 Hrs
8W-Q	3.62"x2.70"x0.98"		1500mAh	8W	9.6V	24 Hrs
16W-Q	4.61"x2.83"x1.20"		3000mAh	16W	9.6V	32 Hrs
25W-Q	4.61"x2.83"x2.38"		6000mAh	25W	9.6V	48 Hrs

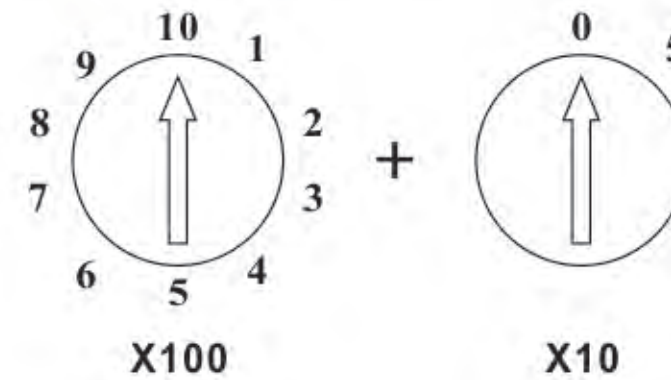


BATTERY CASE L



BATTERY CASE Q

Programmable Switch



Features:

Programmable Constant Current

- Pre-set by factory
- Adjust it by yourself

Adjustable Output Current:

- 10 ranges
- 50mA per scale