



# APPLICATION and PERFORMANCE SPECIFICATION

## ACT3P32IS347H

· Line Voltage:347V 50/60Hz

· Instant Start

· Parallel Lamp Operation

· Active Power Factor Correction

| Lamp Type   | Num.Of Lamps | Rated Lamp Watts | Min. Start Temp. (F/C) | Input Voltage (Vols) | Input Current (Amps) | Input Power (Watts ) | MAX. THD <sub>≤</sub> % | PF ≥ | Ballast Factor | MAX. Lamp Current Crest Factor | BEF  |
|-------------|--------------|------------------|------------------------|----------------------|----------------------|----------------------|-------------------------|------|----------------|--------------------------------|------|
| * F32T8     | 3            | 32               | 0/-18                  | 347                  | 0.324                | 107                  | 10                      | 0.98 | 1.15           | 1.70                           | 1.07 |
| FB32T8      | 3            | 32               | 0/-18                  | 347                  | 0.312                | 107                  | 10                      | 0.98 | 1.15           | 1.70                           | 1.07 |
| FB31T8      | 3            | 31               | 0/-18                  | 347                  | 0.297                | 101                  | 10                      | 0.98 | 1.15           | 1.70                           | 1.13 |
| FB28T8      | 3            | 28               | 0/-18                  | 347                  | 0.271                | 92                   | 10                      | 0.98 | 1.15           | 1.70                           | 1.25 |
| F32T8/ES/30 | 3            | 30               | 60/16                  | 347                  | 0.299                | 101                  | 10                      | 0.98 | 1.15           | 1.70                           | 1.13 |
| F32T8/ES/28 | 3            | 28               | 60/16                  | 347                  | 0.273                | 92                   | 10                      | 0.98 | 1.15           | 1.70                           | 1.25 |
| F32T8/ES/25 | 3            | 25               | 60/16                  | 347                  | 0.257                | 87                   | 10                      | 0.98 | 1.17           | 1.70                           | 1.35 |
| F25T8       | 3            | 25               | 0/-18                  | 347                  | 0.234                | 81                   | 10                      | 0.98 | 1.17           | 1.70                           | 1.45 |
| F17T8       | 3            | 17               | 0/-18                  | 347                  | 0.178                | 60                   | 10                      | 0.98 | 1.20           | 1.70                           | 2.00 |
| F32T8       | 2            | 32               | 0/-18                  | 347                  | 0.244                | 82                   | 10                      | 0.98 | 1.24           | 1.70                           | 1.52 |
| FB32T8      | 2            | 32               | 0/-18                  | 347                  | 0.238                | 81                   | 10                      | 0.98 | 1.24           | 1.70                           | 1.53 |
| FB31T8      | 2            | 31               | 0/-18                  | 347                  | 0.224                | 76                   | 10                      | 0.98 | 1.24           | 1.70                           | 1.63 |
| FB28T8      | 2            | 28               | 0/-18                  | 347                  | 0.209                | 70                   | 10                      | 0.97 | 1.24           | 1.70                           | 1.77 |
| F32T8/ES/30 | 2            | 30               | 60/16                  | 347                  | 0.224                | 76                   | 10                      | 0.97 | 1.24           | 1.70                           | 1.63 |
| F32T8/ES/28 | 2            | 28               | 60/16                  | 347                  | 0.209                | 70                   | 10                      | 0.97 | 1.24           | 1.70                           | 1.77 |
| F32T8/ES/25 | 2            | 25               | 60/16                  | 347                  | 0.197                | 66                   | 10                      | 0.97 | 1.25           | 1.70                           | 1.89 |
| F25T8       | 2            | 25               | 0/-18                  | 347                  | 0.184                | 62                   | 10                      | 0.97 | 1.25           | 1.70                           | 2.01 |

Note: The above data is tested at 60Hz.

The lamp with "\*" is the main lamp.

Application and Performance Specification Information Subject to Change without Notification.

### Performance

- Meets ANSI Standard C82.11-2002
- Meets ANSI Standard C62.41-2002

Outdoor)

- Meets FCC 18 Non-Consumer limits

### Application

- Remote Mounting: 18 ft. max. Lead length, 18AWG
- Maximum Ambient Temperature: 131°F,55°C
- Sound Rated: A
- Maximum case temperature Tc: 194°F,90°C

### Safety

- No PCB's
- UL&cUL listed (Class P, Type 1

- OCV 600V

### Physical Parameters

Length 9.5"

Width 1.3"

Height 1.1"

Mounting 8.9 "

Weight 1.10 lbs

### Lead Length

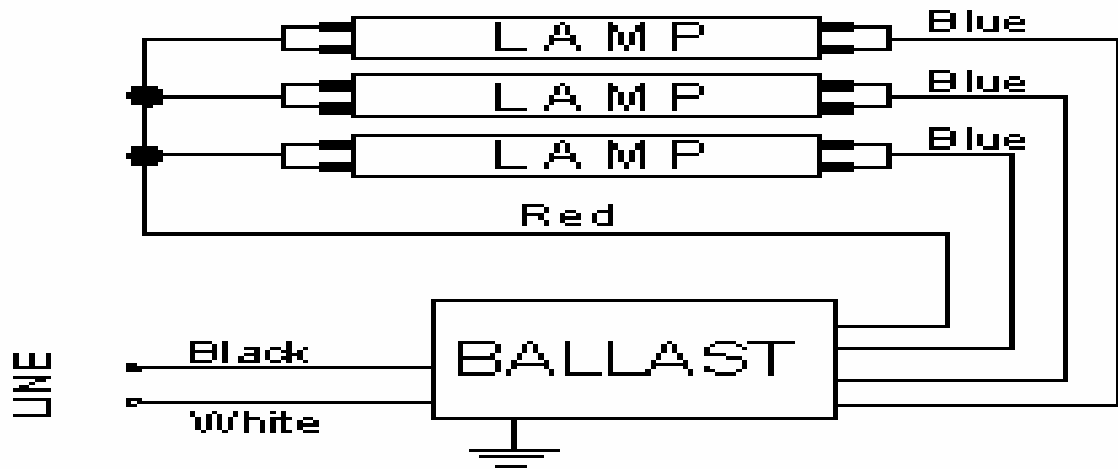
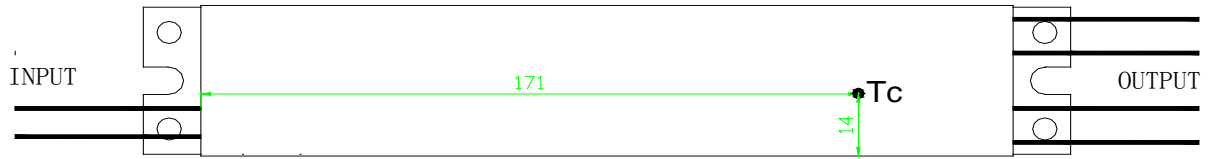
White, Black 25"(±1")

Red 46"(±1")

Blue 31"(±1")



# APPLICATION and PERFORMANCE SPECIFICATION



Note: For two lamps application, cap any blue lead. Insulate to 600 volts.