

APPLICATION and PERFORMANCE SPECIFICATION

ACT2S32PIUNVH

- Line Voltage:120-277V 50/60Hz
- Program Instant Start
- Series Lamp Operation
- Active Power Factor Correction
- Type CC

Lamp Type			Min. Start Temp. (°F/°C)	Vin (V)	Iin (A)	Pin (W)	ATHD ≤%	PF ≥	CF ≤	BF	BEF	BLE
Type	No.	Watts										
*F32T8 32W	2	32	-20/-29	120	0.61	73	10	0.98	1.70	1.18	1.63	0.910
F32T8/ES 25W	2	25	0/-18	120	0.49	60	10	0.98	1.70	1.22	2.03	0.900
F25T8 25W	2	25	-20/-29	120	0.43	52	10	0.98	1.70	1.08	2.08	0.910
F32T8/ES 30W	2	30	0/-18	120	0.55	67	10	0.98	1.70	1.16	1.73	0.910
F17T8 17W	2	17	--20/-29	120	0.32	38	10	0.98	1.70	1.16	3.05	0.900
F34T12 34W	2	34	0/-18	120	0.44	52	10	0.98	1.70	0.71	1.40	0.910
F40T12 40W	2	40	0/-18	120	0.53	64	10	0.98	1.70	0.72	1.20	0.910
*F32T8 32W	2	32	-20/-29	277	0.26	71	10	0.98	1.70	1.18	1.67	0.930
F32T8/ES 25W	2	25	0/-18	277	0.22	59	10	0.97	1.70	1.22	2.07	0.910
F25T8 25W	2	25	-20/-29	277	0.19	52	10	0.97	1.70	1.08	2.08	0.910
F32T8/ES 30W	2	30	0/-18	277	0.24	66	10	0.98	1.70	1.16	1.76	0.930
F17T8 17W	2	17	-20/-29	277	0.15	38	10	0.95	1.70	1.16	3.05	0.900
F34T12 34W	2	34	0/-18	277	0.19	52	10	0.97	1.70	0.72	1.20	0.910
F40T12 40W	2	40	0/-18	277	0.22	61	10	0.97	1.70	0.71	1.40	0.910

Note: the above data is tested at 60Hz.

Application and Performance Specification Information Subject to Change without Notification.

The ballast BLE can meet DOE energy conservation standards with main lamp. The energy standards is 0.908.

Performance

Meets ANSI Standard C82.11-2002
 Meets ANSI Standard C62.41-2001
 Meets FCC 18 Non-CONSUMER Limits
 Meets DOE energy conservation standards

Safety

No PCB's
 UL listed (Class P, Type 1 Outdoor)
 OCV : 300V

Application

Maximum Ambient Temperature: 131°F,55°C
 Remote Mounting: 18 ft. max. Lead length, 18AWG
 Sound Rated: A
 Maximum case temperature Tc: 158°F,70°C

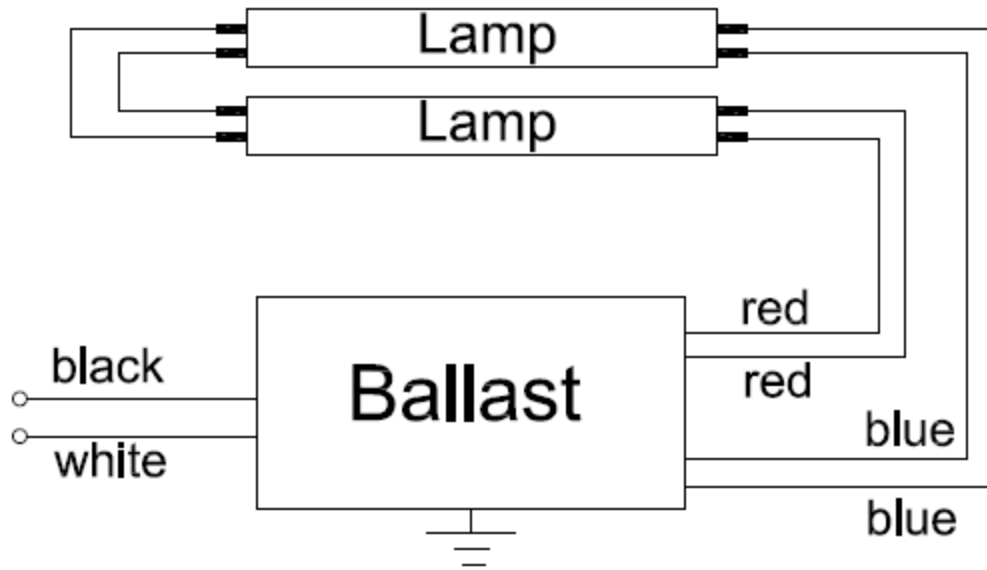
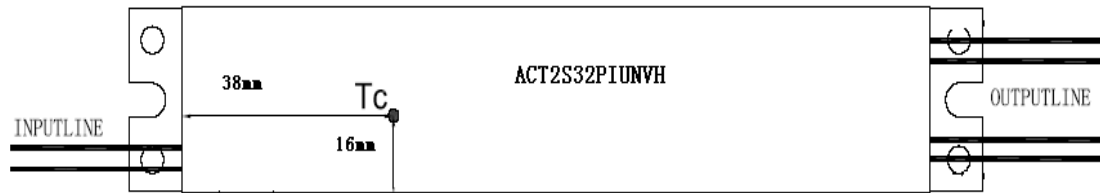
Physical Parameters

Length 9.5"(241mm)
 Width 1.3"(33mm)
 Height 1.1"(28mm)
 Mounting 8.9"(226mm)
 Weight 0.7 lbs(323g)

Lead Length

White, Black 22"(±1")(559mm)
 Red/ Blue 12"(±1")(304mm)

APPLICATION and PERFORMANCE SPECIFICATION



Ballast Case must be ground