



# APPLICATION and PERFORMANCE SPECIFICATION

## ACT2P40RS120N(6)

- Line Voltage: 120V
- Parallel Lamp Operation
- Rapid Start
- Normal Power Factor Correction

Lamp Type	Line Volt.	Lamp No.	Rated Lamp Watts	Min. Start Temp. (°F/°C)	Input Current (A)	Input Power (W)	THD ≤%	PF >	BF	CF ≤	B.E.F.
*F40T12	120	2	40	32/0	0.99	63	150	0.50	0.82	<1.70	1.25
F34T12	120	2	34	32/0	0.86	56	155	0.50	0.81	<1.70	1.42
F30T12	120	2	30	32/0	0.83	50	165	0.50	0.82	<1.70	1.60
F25T12	120	2	25	32/0	0.98	63	155	0.50	1.26	<1.70	2.00
FC12T9 +FC8T9	120	1+1	32 22	32/0	0.80	46	165	0.50	0.85	<1.70	1.80
*F40T12	120	1	40	32/0	0.66	38	173	0.48	1.05	<1.70	2.65
F34T12	120	1	34	32/0	0.50	33	180	0.47	0.91	<1.70	2.72
F30T12	120	1	30	32/0	0.48	29	190	0.45	0.85	<1.70	2.95
F25T12	120	1	25	32/0	0.62	38	173	0.50	1.60	<1.70	4.60
FC12T9	120	1	32	32/0	0.58	33	180	0.45	1.20	<1.70	3.55
FC8T9	120	1	22	32/0	0.43	25	190	0.45	1.26	<1.70	4.58

Application and Performance Specification Information Subject to Change without Notification.

Fully meet UL/CSA safety standard, but customer is required to go through the UL test by itself

### Performance:

- Meets Energy Star Version 1.0
- Meets FCC Part 18 (Class B) for EMI and RFI

### Application:

- Remote Mounting: 18 ft. max. Lead length, 18AWG
- Maximum Ambient Temperature: 131°F, 55°C
- Sound Rated: A
- Tc: 75°C

### Lead Length:

- White, Black 25" (±1")
- Red, Blue 31" (±1")
- Yellow 46" (±1")

### Safety:

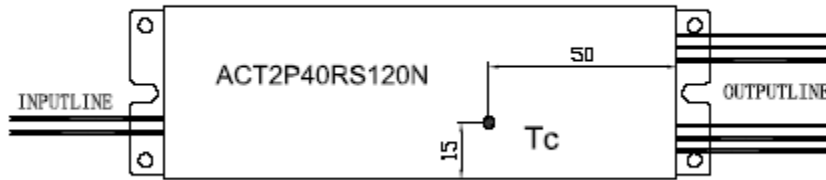
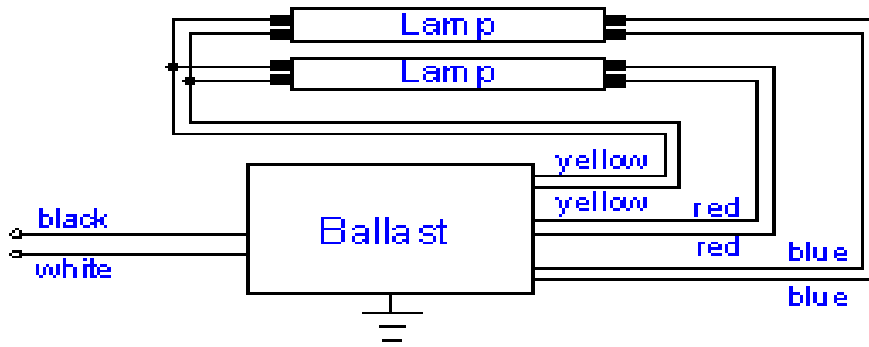
- No PCB'S
- UL listed (Class P, Type 1 Outdoor)
- CSA Certified
- OCV 600V

### Physical Parameters:

- Length: 6.0"
- Width: 1.8"
- Height: 1.08"
- Weight: 0.62 (280g) bs



# APPLICATION and PERFORMANCE SPECIFICATION



Note: For one lamp application, cap any blue lead. Insulate to 600 volts.