



# APPLICATION and PERFORMANCE SPECIFICATION

## ACT3P32IS347L

· Line Voltage:347V 50/60Hz

· Instant Start

· Parallel Lamp Operation

· Active Power Factor Correction

Lamp Type	Num.Of Lamps	Rated Lamp Watts	Min. Start Temp. (F/C)	Input Voltage (Vols)	Input Current (Amps)	Input Power (Watts)	MAX. THD≤ %	PF ≥	Ballast Factor	MAX. Lamp Current Crest Factor	BEF
* F32T8	3	32	0/-18	347	0.239	76	10	0.98	0.78	1.70	1.04
FB32T8	3	32	0/-18	347	0.223	76	10	0.98	0.78	1.70	1.04
FB31T8	3	31	0/-18	347	0.212	72	10	0.98	0.79	1.70	1.10
FB28T8	3	28	0/-18	347	0.192	65	10	0.98	0.79	1.70	1.22
F32T8/ES/30	3	30	60/16	347	0.208	71	10	0.98	0.79	1.70	1.11
F32T8/ES/28	3	28	60/16	347	0.192	65	10	0.98	0.79	1.70	1.22
F32T8/ES/25	3	25	60/16	347	0.185	63	10	0.98	0.83	1.70	1.32
F25T8	3	25	0/-18	347	0.176	60	10	0.98	0.80	1.70	1.33
F17T8	3	17	0/-18	347	0.126	43	10	0.98	0.84	1.70	1.95
F32T8	2	32	0/-18	347	0.179	60	10	0.97	0.90	1.70	1.50
FB32T8	2	32	0/-18	347	0.171	58	10	0.97	0.90	1.70	1.55
FB31T8	2	31	0/-18	347	0.162	55	10	0.97	0.90	1.70	1.64
FB28T8	2	28	0/-18	347	0.148	50	10	0.97	0.90	1.70	1.80
F32T8/ES/30	2	30	60/16	347	0.160	54	10	0.97	0.90	1.70	1.67
F32T8/ES/28	2	28	60/16	347	0.147	49	10	0.97	0.90	1.70	1.84
F32T8/ES/25	2	25	60/16	347	0.142	47	10	0.96	0.93	1.70	2.00
F25T8	2	25	0/-18	347	0.137	46	10	0.96	0.93	1.70	2.02

Note: The above data is tested at 60Hz.

The lamp with "\*" is the main lamp.

Application and Performance Specification Information Subject to Change without Notification.

### Performance

- Meets ANSI Standard C82.11-2002
- Meets ANSI Standard C62.41-2002

Outdoor)

- Meets FCC 18 Non-Consumer limits

### Application

- Remote Mounting: 18 ft. max. Lead length, 18AWG
- Maximum Ambient Temperature: 131°F,55°C
- Sound Rated: A
- Maximum case temperature Tc: 194°F,90°C

### Safety

- No PCB's
- UL&cUL listed (Class P, Type 1

- OCV 600V

### Physical Parameters

- Length 9.5"
- Width 1.3"
- Height 1.1"
- Mounting 8.9 "
- Weight 1.10 lbs

### Lead Length

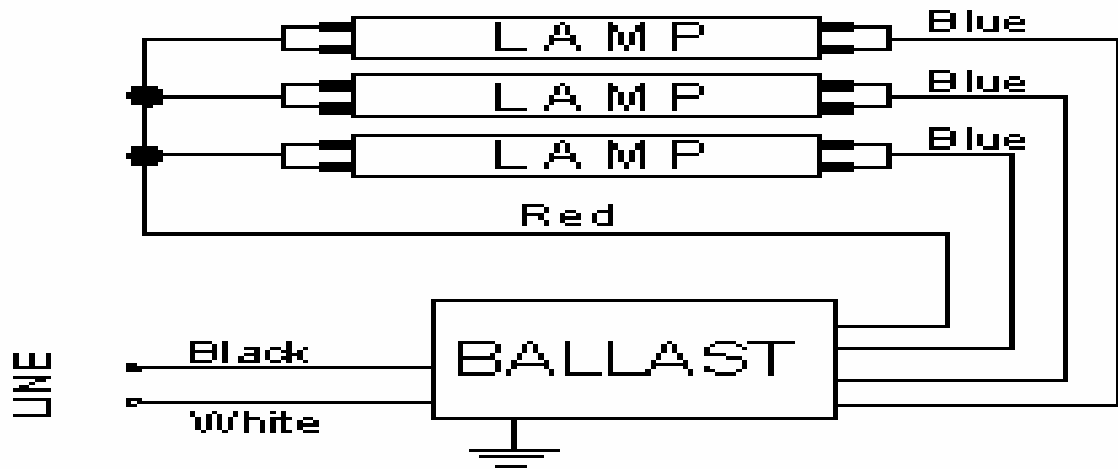
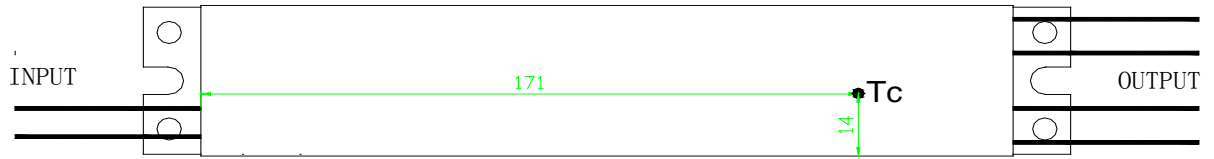
White, Black 25"(±1")

Red 46"(±1")

Blue 31"(±1")



# APPLICATION and PERFORMANCE SPECIFICATION



Note: For two lamps application, cap any blue lead. Insulate to 600 volts.