



APPLICATION and PERFORMANCE SPECIFICATION

ACT2P32ISUNVHE

- Line Voltage: 120-277V 50/60Hz
- Parallel Lamp Operation

- Instant Start
- Active Power Factor Correction

Lamp Type			Min. Start Temp. (F/C)	Vin (V)	Iin (A)	Pin (W)	ATHD ≤%	PF ≥	CF ≤	BF	BEF
Type	No.	Watts									
* F32T8	2	32	0/-18	120	0.62	74	10	0.98	1.7	1.18	1.59
FB32T8	2	32	0/-18	120	0.62	74	10	0.98	1.7	1.18	1.59
FB31T8	2	31	0/-18	120	0.58	73	10	0.98	1.7	1.18	1.61
FB28T8	2	28	0/-18	120	0.54	65	10	0.98	1.7	1.18	1.81
F32T8/ES/30	2	30	0/-18	120	0.58	69	10	0.98	1.7	1.18	1.71
F32T8/ES/28	2	28	0/-18	120	0.54	64	10	0.98	1.7	1.18	1.84
F32T8/ES/25	2	25	0/-18	120	0.53	63	10	0.98	1.7	1.18	1.87
F25T8	2	25	0/-18	120	0.45	54	10	0.98	1.7	1.20	2.20
F17T8	2	17	0/-18	120	0.33	39	10	0.98	1.7	1.23	3.15
F40T8	1	40	32/0	120	0.45	54	10	0.98	1.7	1.35	2.49
F32T8	1	32	0/-18	120	0.37	45	10	0.98	1.7	1.38	3.06
FB32T8	1	32	0/-18	120	0.37	45	10	0.98	1.7	1.38	3.06
FB31T8	1	31	0/-18	120	0.36	44	10	0.98	1.7	1.38	3.13
FB28T8	1	28	0/-18	120	0.33	39	10	0.98	1.7	1.38	3.53
F32T8/ES/30	1	30	0/-18	120	0.36	44	10	0.98	1.7	1.38	3.13
F32T8/ES/28	1	28	0/-18	120	0.33	39	10	0.98	1.7	1.38	3.53
F32T8/ES/25	1	25	0/-18	120	0.32	38	10	0.98	1.7	1.38	3.63
F25T8	1	25	0/-18	120	0.28	33	10	0.98	1.7	1.40	4.24
F17T8	1	17	0/-18	120	0.22	25	10	0.95	1.7	1.42	5.68
* F32T8	2	32	0/-18	277	0.27	73	10	0.98	1.7	1.18	1.61
FB32T8	2	32	0/-18	277	0.27	73	10	0.98	1.7	1.18	1.61
FB31T8	2	31	0/-18	277	0.25	71	10	0.98	1.7	1.18	1.66
FB28T8	2	28	0/-18	277	0.235	63	15	0.98	1.7	1.18	1.87
F32T8/ES/30	2	30	0/-18	277	0.25	69	15	0.98	1.7	1.18	1.71
F32T8/ES/28	2	28	0/-18	277	0.235	63	15	0.98	1.7	1.18	1.87
F32T8/ES/25	2	25	0/-18	277	0.23	62	15	0.97	1.7	1.18	1.90
F25T8	2	25	0/-18	277	0.20	54	15	0.97	1.7	1.20	2.22
F17T8	2	17	0/-18	277	0.15	39	15	0.96	1.7	1.23	3.15
F40T8	1	40	32/0	277	0.20	54	15	0.97	1.7	1.35	2.50
F32T8	1	32	0/-18	277	0.17	45	15	0.97	1.7	1.38	3.06
FB32T8	1	32	0/-18	277	0.17	45	15	0.97	1.7	1.38	3.06
FB31T8	1	31	0/-18	277	0.16	44	15	0.97	1.7	1.38	3.14
FB28T8	1	28	0/-18	277	0.15	39	15	0.97	1.7	1.38	3.54
F32T8/ES/30	1	30	0/-18	277	0.16	44	15	0.97	1.7	1.38	3.14
F32T8/ES/28	1	28	0/-18	277	0.15	39	15	0.97	1.7	1.38	3.54
F32T8/ES/25	1	25	0/-18	277	0.145	38	15	0.97	1.7	1.38	3.63
F25T8	1	25	0/-18	277	0.13	33	15	0.96	1.7	1.40	4.24
F17T8	1	17	0/-18	277	0.105	25	15	0.95	1.7	1.42	5.69



APPLICATION and PERFORMANCE SPECIFICATION

Note: The above data is tested at 60Hz.

The lamp with “*” is the main lamp.

The ballast BLE can meet DOE energy conservation standards with main lamp.

Application and Performance Specification Information Subject to Change without Notification.

Performance

- Meets ANSI Standard C82.11-2002
- Meets ANSI Standard C62.41-2002
- Meets FCC 18 Non-Consumer limits (277V)
- Meets FCC 18 Consumer limits (120V)
- Meets DOE energy conservation standards

Application Physical Parameters

- Remote Mounting: 18 ft. max. Lead length, 18AWG
- Maximum Ambient Temperature: 131°F, 55°C
- Sound Rated: A
- Maximum case temperature Tc: 194°F, 90°C

Safety

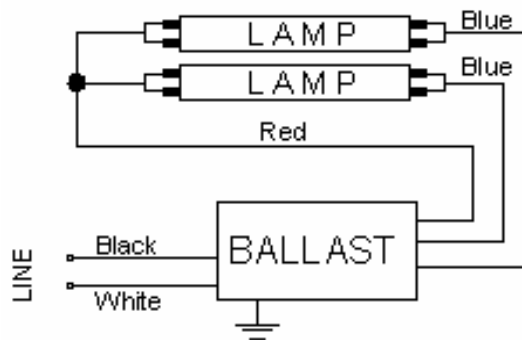
- No PCB's, Type HL
- UL&cUL listed (Class P, Type 1 Outdoor)
- OCV 600V

Physical Parameters:

Length	9.5"
Width	1.3"
Height	1.1"
Mounting	8.9 "
Weight	1.1 lbs

Lead Length

White, Black	25"(±1")
Red	46"(±1")
Blue	31"(±1")



Note: For one lamp application, cap any blue lead. Insulate to 600 volts.