



APPLICATION and PERFORMANCE SPECIFICATION

ACT3P32ISUNVLE

- Line Voltage: 120-277V 50/60Hz
- Parallel Lamp Operation

- Instant Start
- Active Power Factor Correction

Lamp Type			Min. Start Temp. (F/C)	Vin (V)	Iin (A)	Pin (W)	ATHD ≤%	PF ≥	CF ≤	BF	BEF
Type	No.	Watts									
* F32T8	3	32	0/-18	120	0.64	76	10	0.98	1.7	0.78	1.04
FB32T8	3	32	0/-18	120	0.64	76	10	0.98	1.7	0.78	1.04
FB31T8	3	31	0/-18	120	0.60	73	10	0.98	1.7	0.81	1.10
FB28T8	3	28	0/-18	120	0.55	65	10	0.98	1.7	0.81	1.24
F32T8/ES/30	3	30	0/-18	120	0.60	71	10	0.98	1.7	0.81	1.14
F32T8/ES/28	3	28	0/-18	120	0.55	64	10	0.98	1.7	0.81	1.26
F32T8/ES/25	3	25	0/-18	120	0.53	63	10	0.98	1.7	0.85	1.34
F25T8	3	25	0/-18	120	0.51	60	10	0.98	1.7	0.82	1.34
F17T8	3	17	0/-18	120	0.37	43	10	0.98	1.7	0.86	1.95
F40T8	2	40	32/0	120	0.60	71	10	0.98	1.7	0.87	1.22
F32T8	2	32	0/-18	120	0.49	58	10	0.98	1.7	0.92	1.53
FB32T8	2	32	0/-18	120	0.49	58	10	0.98	1.7	0.92	1.53
FB31T8	2	31	0/-18	120	0.46	55	10	0.98	1.7	0.92	1.67
FB28T8	2	28	0/-18	120	0.42	48	10	0.98	1.7	0.92	1.91
F32T8/ES/30	2	30	0/-18	120	0.45	54	10	0.98	1.7	0.92	1.70
F32T8/ES/28	2	28	0/-18	120	0.42	49	10	0.98	1.7	0.92	1.87
F32T8/ES/25	2	25	0/-18	120	0.41	48	10	0.98	1.7	0.95	1.97
* F32T8	3	32	0/-18	277	0.27	74	10	0.98	1.7	0.78	1.05
FB32T8	3	32	0/-18	277	0.27	74	10	0.98	1.7	0.78	1.05
FB31T8	3	31	0/-18	277	0.26	71	10	0.97	1.7	0.81	1.14
FB28T8	3	28	0/-18	277	0.24	64	15	0.97	1.7	0.81	1.26
F32T8/ES/30	3	30	0/-18	277	0.26	70	15	0.98	1.7	0.81	1.15
F32T8/ES/28	3	28	0/-18	277	0.24	63	15	0.95	1.7	0.81	1.28
F32T8/ES/25	3	25	0/-18	277	0.23	61	15	0.95	1.7	0.85	1.39
F25T8	3	25	0/-18	277	0.22	58	15	0.95	1.7	0.82	1.36
F17T8	3	17	0/-18	277	0.16	43	15	0.95	1.7	0.86	2.00
F40T8	2	40	32/0	277	0.26	70	15	0.98	1.7	0.87	1.24
F32T8	2	32	0/-18	277	0.21	57	15	0.95	1.7	0.92	1.61
FB32T8	2	32	0/-18	277	0.21	57	15	0.97	1.7	0.92	1.61
FB31T8	2	31	0/-18	277	0.20	54	15	0.97	1.7	0.92	1.70
FB28T8	2	28	0/-18	277	0.185	48	15	0.95	1.7	0.92	1.91
F32T8/ES/30	2	30	0/-18	277	0.20	53	15	0.97	1.7	0.92	1.72
F32T8/ES/28	2	28	0/-18	277	0.185	48	15	0.95	1.7	0.92	1.91
F32T8/ES/25	2	25	0/-18	277	0.18	47	15	0.95	1.7	0.92	2.02

Note: The above data is tested at 60Hz.

The lamp with “*” is the main lamp.

The ballast BLE can meet DOE energy conservation standards with main lamp.

Application and Performance Specification Information Subject to Change without Notification.



APPLICATION and PERFORMANCE SPECIFICATION

Performance

- Meets ANSI Standard C82.11-2002
- Meets ANSI Standard C62.41-2002
- Meets FCC 18 Non-Consumer limits(277V)
- Meets FCC 18 Consumer limits(120V)
- Meets DOE energy conservation standards

Safety

- No PCB's, Type HL
- UL&cUL listed (Class P, Type 1 Outdoor)
- OCV 600V

Application Physical Parameters

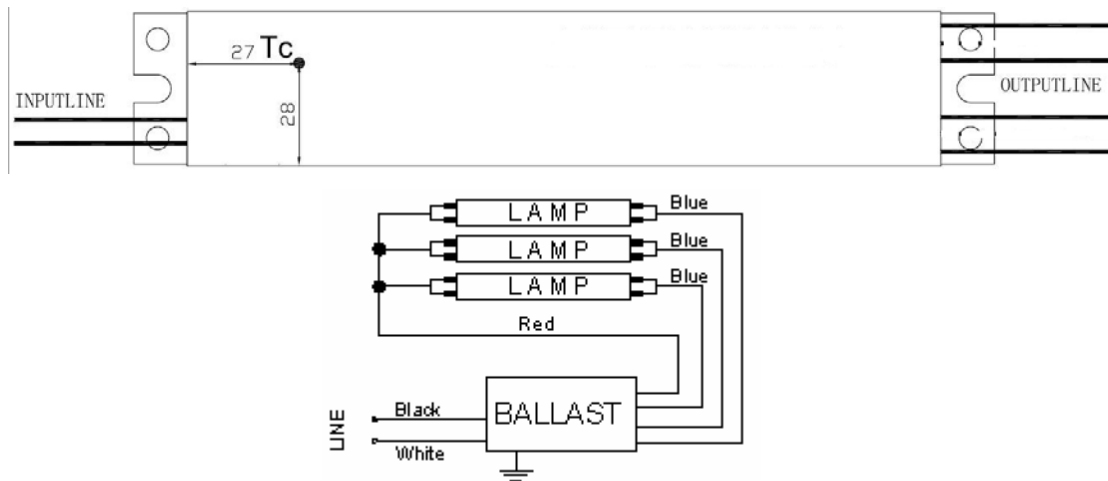
- Remote Mounting: 18 ft. max. Lead length, 18AWG
- Maximum Ambient Temperature: 131°F ,55°C
- Sound Rated: A
- Maximum case temperature Tc: 194°F ,90°C

Physical Parameters:

Length	9.5"
Width	1.3"
Height	1.1"
Mounting	8.9 "
Weight	1.1 lbs

Lead Length

White, Black	25"(±1")
Red	46"(±1")
Blue	31"(±1")



Note: For two lamps application, cap any blue lead. Insulate to 600 volts.