



# APPLICATION and PERFORMANCE SPECIFICATION

## ACT3P32ISUNVH

· Line Voltage: 120-277V 50/60Hz

· Instant Start

· Parallel Lamp Operation

· Active Power Factor Correction

Lamp Type			Min. Start Temp. (F/C)	Vin (V)	Iin (A)	Pin (W)	ATHD ≤%	PF ≥	CF ≤	BF	BEF
Type	No.	Watts									
* F32T8	3	32	0/-18	120	0.91	108	10	0.98	1.7	1.13	1.04
FB32T8	3	32	0/-18	120	0.91	108	10	0.98	1.7	1.13	1.04
FB31T8	3	31	0/-18	120	0.85	101	10	0.98	1.7	1.13	1.12
FB28T8	3	28	0/-18	120	0.78	93	10	0.98	1.7	1.13	1.22
F32T8/ES/30	3	30	0/-18	120	0.84	99	10	0.98	1.7	1.13	1.14
F32T8/ES/28	3	28	0/-18	120	0.78	93	10	0.98	1.7	1.13	1.22
F32T8/ES/25	3	25	0/-18	120	0.72	86	10	0.98	1.7	1.15	1.34
F25T8	3	25	0/-18	120	0.69	81	10	0.98	1.7	1.15	1.42
F17T8	3	17	0/-18	120	0.49	58	10	0.98	1.7	1.18	2.03
F40T8	2	40	32/0	120	0.84	100	10	0.98	1.7	1.21	1.21
F32T8	2	32	0/-18	120	0.69	81	10	0.98	1.7	1.22	1.51
FB32T8	2	32	0/-18	120	0.69	81	10	0.98	1.7	1.22	1.51
FB31T8	2	31	0/-18	120	0.67	80	10	0.98	1.7	1.22	1.53
FB28T8	2	28	0/-18	120	0.59	69	10	0.98	1.7	1.22	1.77
F32T8/ES/30	2	30	0/-18	120	0.64	76	10	0.98	1.7	1.22	1.61
F32T8/ES/28	2	28	0/-18	120	0.59	70	10	0.98	1.7	1.22	1.74
F32T8/ES/25	2	25	0/-18	120	0.56	67	10	0.98	1.7	1.23	1.84
F25T8	2	25	0/-18	120	0.55	65	10	0.98	1.7	1.23	1.89
* F32T8	3	32	0/-18	277	0.39	106	10	0.98	1.7	1.13	1.06
FB32T8	3	32	0/-18	277	0.39	106	10	0.98	1.7	1.13	1.06
FB31T8	3	31	0/-18	277	0.38	101	10	0.98	1.7	1.13	1.12
FB28T8	3	28	0/-18	277	0.34	92	10	0.98	1.7	1.13	1.23
F32T8/ES/30	3	30	0/-18	277	0.37	99	10	0.98	1.7	1.13	1.14
F32T8/ES/28	3	28	0/-18	277	0.34	92	10	0.98	1.7	1.13	1.23
F32T8/ES/25	3	25	0/-18	277	0.32	85	10	0.98	1.7	1.15	1.35
F25T8	3	25	0/-18	277	0.30	81	10	0.98	1.7	1.15	1.42
F17T8	3	17	0/-18	277	0.22	57	10	0.96	1.7	1.18	2.07
F40T8	2	40	32/0	277	0.36	98	10	0.98	1.7	1.21	1.23
F32T8	2	32	0/-18	277	0.30	80	10	0.98	1.7	1.22	1.53
FB32T8	2	32	0/-18	277	0.30	80	10	0.98	1.7	1.22	1.53
FB31T8	2	31	0/-18	277	0.29	79	10	0.98	1.7	1.22	1.54
FB28T8	2	28	0/-18	277	0.26	69	15	0.97	1.7	1.22	1.77
F32T8/ES/30	2	30	0/-18	277	0.28	75	15	0.97	1.7	1.22	1.63
F32T8/ES/28	2	28	0/-18	277	0.26	69	15	0.97	1.7	1.22	1.77
F32T8/ES/25	2	25	0/-18	277	0.25	66	15	0.97	1.7	1.23	1.86
F25T8	2	25	0/-18	277	0.25	65	15	0.97	1.7	1.23	1.90

Note: The above data is tested at 60Hz.

The lamp with "\*" is the main lamp.

Application and Performance Specification Information Subject to Change without Notification.



# APPLICATION and PERFORMANCE SPECIFICATION

## Performance

- Meets ANSI Standard C82.11-2002
- Meets ANSI Standard C62.41-2002
- Meets FCC 18 Non-Consumer limits

## Safety

- No PCB's, Type HL
- UL&cUL listed (Class P, Type 1 Outdoor)
- OCV 600V

## Application Physical Parameters

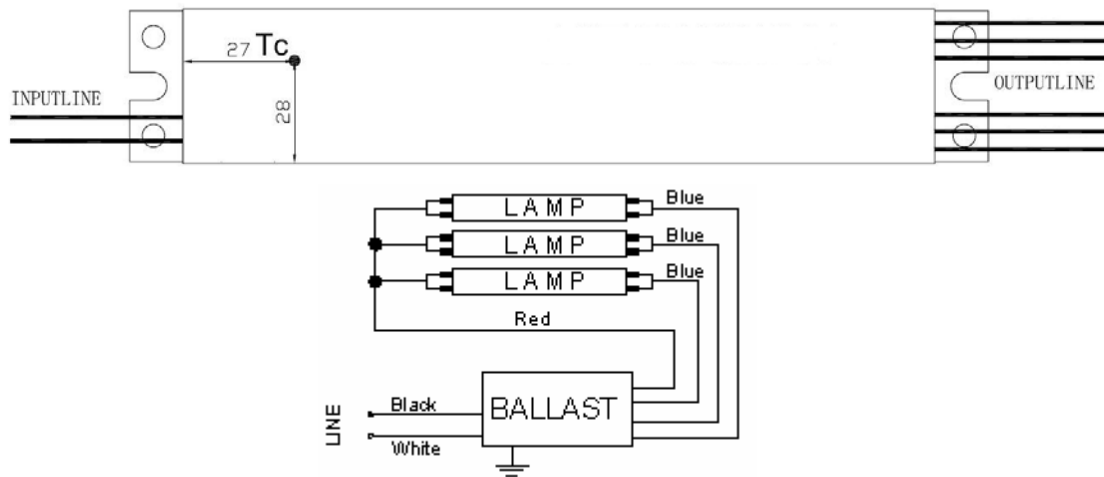
- Remote Mounting: 18 ft. max. Lead length, 18AWG
- Maximum Ambient Temperature: 131°F ,55°C
- Sound Rated: A
- Maximum case temperature Tc: 167°F ,75°C

## Physical Parameters:

Length	9.5"
Width	1.3"
Height	1.1"
Mounting	8.9 "
Weight	1.1 lbs

## Lead Length

White, Black	25"(±1")
Red	46"(±1")
Blue	31"(±1")



Note: For two lamps application, cap any blue lead. Insulate to 600 volts.