



APPLICATION and PERFORMANCE SPECIFICATION

ACT4M54PSUNV

- Line Voltage: 120~277V 50/60Hz
- Program Start
- Hybrid Lamp Operation
- Active Power Factor Correction
- Lamp End of Life Protection
- Type CC

Lamp Type	Lamp No.	Rated Lamp Watts	Min. Start Temp. (F/C)	Input Voltage (V)	Input Current (A)	Input Power (W)	THD ≤%	PF ≥	BF	CF ≤	BEF	BLE
* F54T5/HO	4	54	-20/-29	120	1.90	228	10	0.98	0.93	1.70	0.42	0.911
FT55W/2G11	4	55	-20/-29	120	1.90	226	10	0.98	0.91	1.70	0.38	--
CFT50W/2G11	4	50	-20/-29	120	1.57	200	10	0.98	1.15	1.70	0.57	--
F54T5/HO/EA	4	49	-20/-29	120	1.78	214	10	0.98	0.97	1.70	0.45	--
* F54T5/HO	3	54	-20/-29	120	1.50	176	10	0.98	1.03	1.70	0.58	--
FT55W/2G11	3	55	-20/-29	120	1.50	170	10	0.98	0.93	1.70	0.53	--
CFT50W/2G11	3	50	-20/-29	120	1.28	150	10	0.98	1.15	1.70	0.76	--
F54T5/HO/EA	3	49	-20/-29	120	1.34	162	10	0.98	0.97	1.70	0.60	--
* F54T5/HO	2	54	-20/-29	120	1.00	120	10	0.98	1.00	1.70	0.83	--
FT55W/2G11	2	55	-20/-29	120	0.94	113	10	0.98	0.91	1.70	0.81	--
CFT50W/2G11	2	50	-20/-29	120	0.84	100	10	0.98	1.15	1.70	1.15	--
F54T5/HO/EA	2	49	-20/-29	120	0.88	106	10	0.98	0.97	1.70	0.92	--
* F54T5/HO	1	54	-20/-29	120	0.52	62	10	0.98	1.03	1.70	1.66	--
FT55W/2G11	1	55	-20/-29	120	0.51	61	10	0.98	1.15	1.70	1.15	--
CFT50W/2G11	1	50	-20/-29	120	0.45	53	10	0.98	1.15	1.70	2.16	--
* F54T5/HO	4	54	-20/-29	277	0.81	225	10	0.98	0.95	1.70	0.43	0.930
FT55W/2G11	4	55	-20/-29	277	0.90	222	10	0.97	0.91	1.70	0.38	--
CFT50W/2G11	4	50	-20/-29	277	0.77	196	10	0.97	1.15	1.70	0.58	--
F54T5/HO/EA	4	49	-20/-29	277	0.78	209	10	0.96	0.97	1.70	0.46	--
* F54T5/HO	3	54	-20/-29	277	0.65	173	10	0.92	1.03	1.70	0.59	--
FT55W/2G11	3	55	-20/-29	277	0.60	160	10	0.92	0.93	1.70	0.58	--
CFT50W/2G11	3	50	-20/-29	277	0.53	146	10	0.92	1.15	1.70	0.78	--
F54T5/HO/EA	3	49	-20/-29	277	0.61	159	10	0.93	0.97	1.70	0.61	--
* F54T5/HO	2	54	-20/-29	277	0.43	117	10	0.98	1.00	1.70	0.85	--
FT55W/2G11	2	55	-20/-29	277	0.41	113	10	0.97	0.91	1.70	0.81	--
CFT50W/2G11	2	50	-20/-29	277	0.40	98	10	0.97	1.15	1.70	1.17	--
F54T5/HO/EA	2	49	-20/-29	277	0.39	104	10	0.96	0.97	1.70	0.93	--
* F54T5/HO	1	54	-20/-29	277	0.25	63	10	0.92	1.03	1.70	1.66	--
FT55W/2G11	1	55	-20/-29	277	0.25	62	10	0.92	0.93	1.70	1.52	--
CFT50W/2G11	1	50	-20/-29	277	0.25	54	10	0.92	1.15	1.70	2.16	--

Note: The above data is tested at 60Hz. Application and Performance Specification Information Subject to Change without Notification.



APPLICATION and PERFORMANCE SPECIFICATION

The ballast BLE can meet DOE energy conservation standards with main lamp. The energy standards is 0.928 at 277v.

Fully meet UL/CSA safety standard, but customer is required to go through the UL test by itself.

Performance:

- Meets ANSI Standard C82.11-2002
- Meets ANSI Standard C62.41-2002
- Meets FCC 18 Non CONSUMER Limits
- Meets DOE energy conservation standards

Safety:

- No PCB'S, Type HL
- UL & cUL listed (Class P, Type 1 Outdoor)
- OCV 600V

- No-load : <10 Watt

Application:

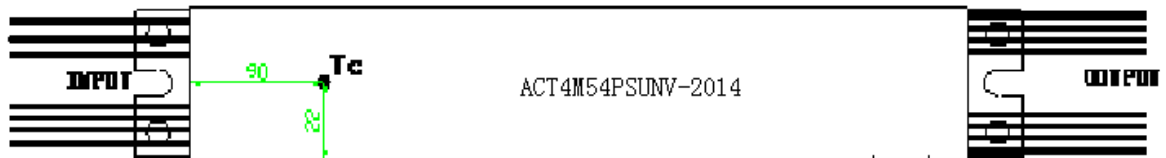
- Maximum Ambient Temperature: 131°F, 55°C
- Sound Rated: A
- Maximum case temperature Tc: 194°F, 90°C
- Remote Mounting: 18ft. max. Lead length, 18AWG

Physical Parameters:

Length:	16.75"
Width:	1.8"
Height:	1.2"
Mounting:	16.3"
Weight:	3.0 Pbs

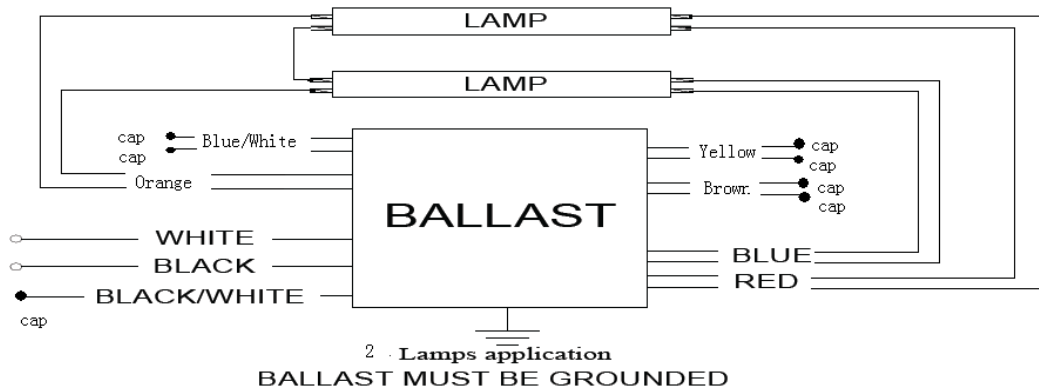
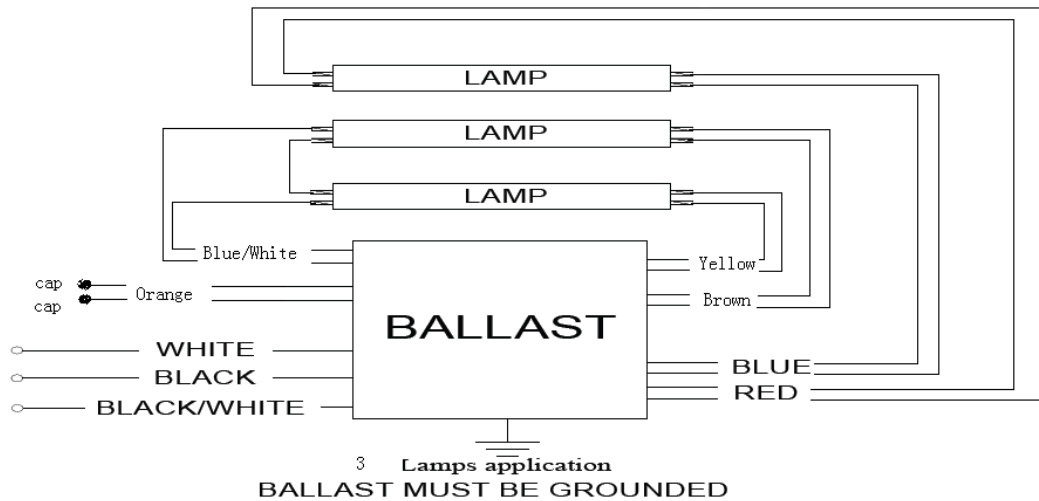
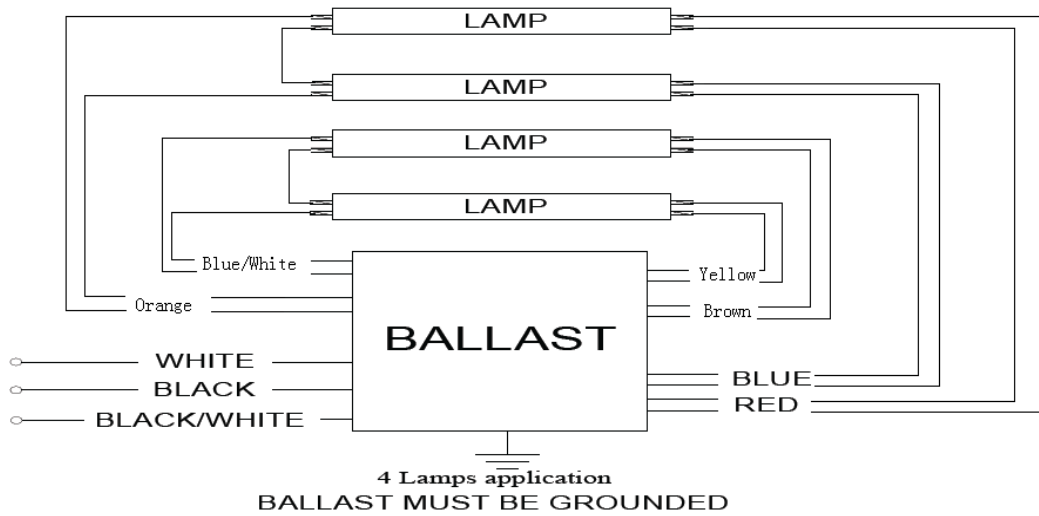
Lead Length:

White, Black, Black/White	25" (±1")
Blue/White, Orange	46" (±1")
Red, Blue,	31" (±1")
Brown, Yellow	31" (±1")



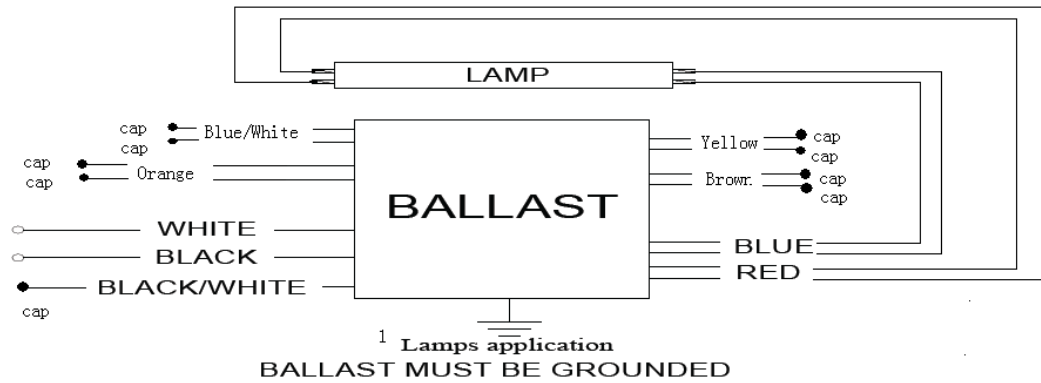


APPLICATION and PERFORMANCE SPECIFICATION





APPLICATION and PERFORMANCE SPECIFICATION



FOR THREE LAMP APPLICATION ORANGE WIRES SHOULD BE CAPPED SEPARATELY
FOR TWO LAMP APPLICATION BLUE/WHITE WIRES, YELLOW WIRES AND BROWN WIRES
SHOULD BE CAPPED SEPARATELY
FOR ONE LAMP APPLICATION BLUE/WHITE WIRES, YELLOW WIRES , BROWN WIRES AND
ORANGE WIRES SHOULD BE CAPPED SEPARATELY